



UNI-SEMICONDUCTOR CO., LTD

宇力半导体有限公司



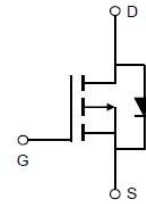
## AP60P20K Data Sheet

V 1.1

版权归宇力半导体有限公司

**Feature**

- -20V,-60A  
 $R_{DS(ON)} < 7.0m\Omega @ V_{GS} = -4.5V$  TYP:5.8 mΩ  
 $R_{DS(ON)} < 9.0m\Omega @ V_{GS} = -2.5V$  TYP:7.0 mΩ
- Advanced Trench Technology
- Lead free product is acquired
- Excellent  $R_{DS(ON)}$  and Low Gate Charge



Schematic Diagram

**Application**

- PWM applications
- Load Switch
- Power management



Marking and pin assignment

**Package Marking and Ordering Information**

Device Marking	Device	Device Package	Reel Size	Tape width	Quantity (PCS)
60P20K	AP60P20K	TO-252	13 inch	-	2500

**ABSOLUTE MAXIMUM RATINGS (T<sub>a</sub>=25°C unless otherwise noted)**

Parameter	Symbol	Value	Unit
Drain-Source Voltage	V <sub>DS</sub>	-20	V
Gate-Source Voltage	V <sub>GS</sub>	± 12	V
Continuous Drain Current (T <sub>a</sub> =25°C)	I <sub>D</sub>	-60	A
Continuous Drain Current (T <sub>a</sub> =100°C)	I <sub>D</sub>	-42	A
Pulsed Drain Current <sup>(1)</sup>	I <sub>DM</sub>	-240	A
Singel Pulsed Avalanche Energy <sup>(4)</sup>	E <sub>AS</sub>	144	mJ
Power Dissipation	P <sub>D</sub>	54	W
Thermal Resistance from Junction to Case	R <sub>θJC</sub>	2.8	°C/W
Junction Temperature	T <sub>J</sub>	150	°C
Storage Temperature	T <sub>STG</sub>	-55~ +150	°C

**MOSFET ELECTRICAL CHARACTERISTICS(T<sub>a</sub>=25°C unless otherwise noted)**

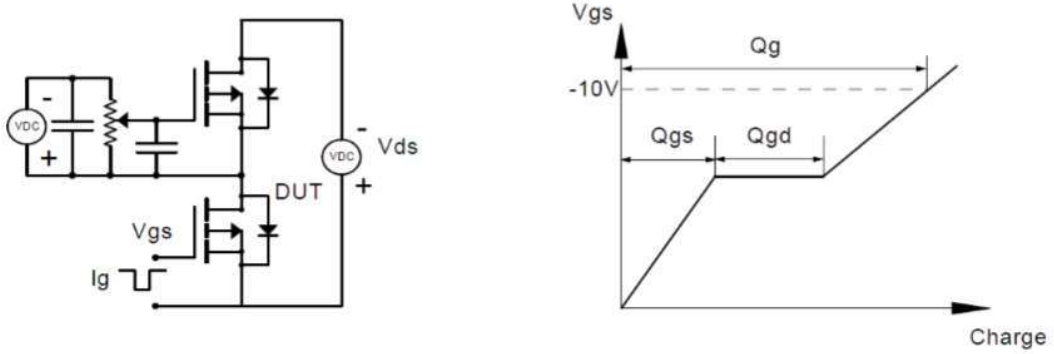
Parameter	Symbol	Test Condition	Min	Type	Max	Unit
<b>Static Characteristics</b>						
Drain-source breakdown voltage	V <sub>(BR)DSS</sub>	V <sub>GS</sub> = 0V, I <sub>D</sub> = -250μA	-20	-	-	V
Zero gate voltage drain current	I <sub>DSS</sub>	V <sub>DS</sub> = -20V, V <sub>GS</sub> = 0V	-	-	1	μA
Gate-body leakage current	I <sub>GSS</sub>	V <sub>GS</sub> = ±12V, V <sub>DS</sub> = 0V	-	-	±100	nA
Gate threshold voltage <sup>(3)</sup>	V <sub>GS(th)</sub>	V <sub>DS</sub> = V <sub>GS</sub> , I <sub>D</sub> = -250μA	0.35	0.6	1.0	V
Drain-source on-resistance <sup>(3)</sup>	R <sub>DS(on)</sub>	V <sub>GS</sub> = -4.5V, I <sub>D</sub> = -20A	-	5.8	7.0	mΩ
		V <sub>GS</sub> = -2.5V, I <sub>D</sub> = -10A	-	7.0	9.0	
<b>Dynamic characteristics</b>						
Input Capacitance	C <sub>iss</sub>	V <sub>DS</sub> = -15V, V <sub>GS</sub> = 0V, f = 1MHz	-	4650	-	pF
Output Capacitance	C <sub>oss</sub>		-	550	-	
Reverse Transfer Capacitance	C <sub>rss</sub>		-	486	-	
<b>Switching characteristics</b>						
Turn-on delay time	t <sub>d(on)</sub>	V <sub>DD</sub> = -15V, I <sub>D</sub> = -30A, R <sub>L</sub> = 0.5Ω V <sub>GS</sub> = -4.5V, R <sub>G</sub> = 3Ω	-	19	-	ns
Turn-on rise time	t <sub>r</sub>		-	15	-	
Turn-off delay time	t <sub>d(off)</sub>		-	65	-	
Turn-off fall time	t <sub>f</sub>		-	36	-	
Total Gate Charge	Q <sub>g</sub>	V <sub>DS</sub> = -15V, I <sub>D</sub> = -25A, V <sub>GS</sub> = -4.5V	-	45	-	nC
Gate-Source Charge	Q <sub>gs</sub>		-	8	-	
Gate-Drain Charge	Q <sub>gd</sub>		-	12	-	
<b>Source-Drain Diode characteristics</b>						
Diode Forward voltage <sup>(2)</sup>	V <sub>DS</sub>	V <sub>GS</sub> = 0V, I <sub>S</sub> = -20A	-	-	-1.2	V
Diode Forward current <sup>(3)</sup>	I <sub>S</sub>		-	-	-60	A

**Notes:**

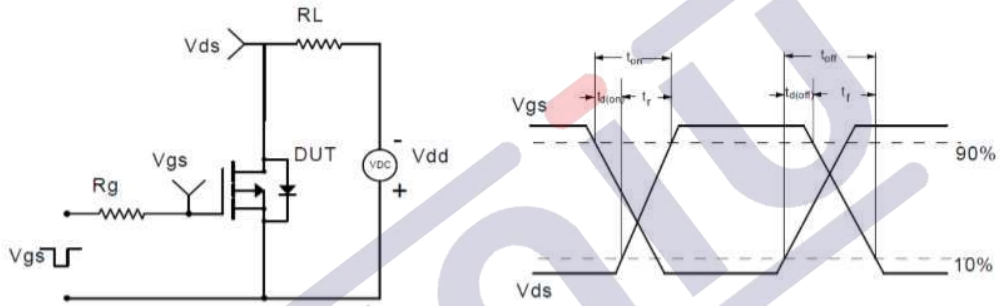
1. Repetitive Rating: pulse width limited by maximum junction temperature
2. Pulse Test: pulse width ≤ 300μs, duty cycle ≤ 2%
3. Surface Mounted on FR4 Board, t ≤ 10 sec
4. EAS Condition: T<sub>J</sub> = 25°C, V<sub>DD</sub> = -15V, R<sub>G</sub> = 25 Ω, L = 0.5mH

Test Circuit

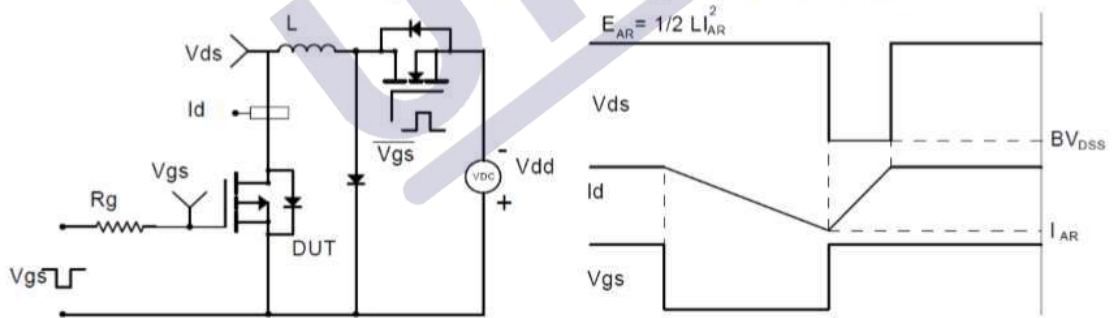
Gate Charge Test Circuit & Waveform



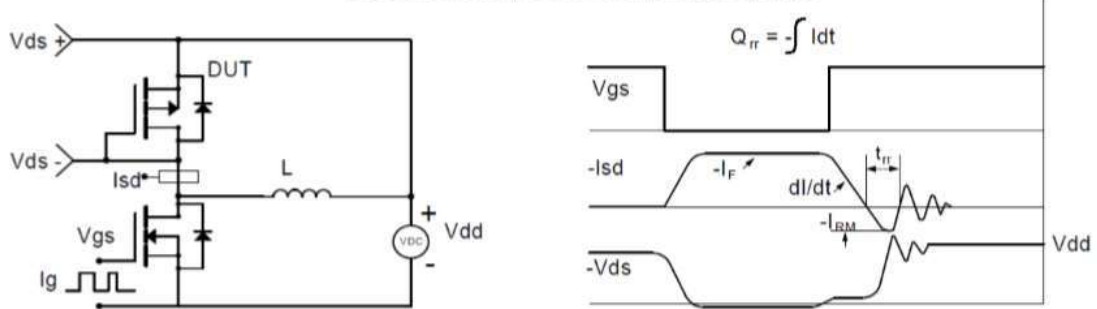
Resistive Switching Test Circuit & Waveforms



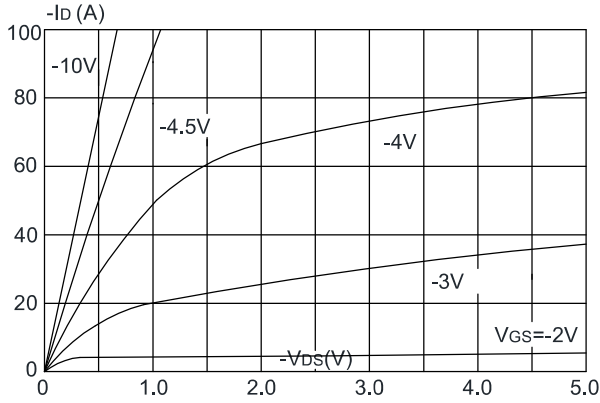
Unclamped Inductive Switching (UIS) Test Circuit & Waveforms



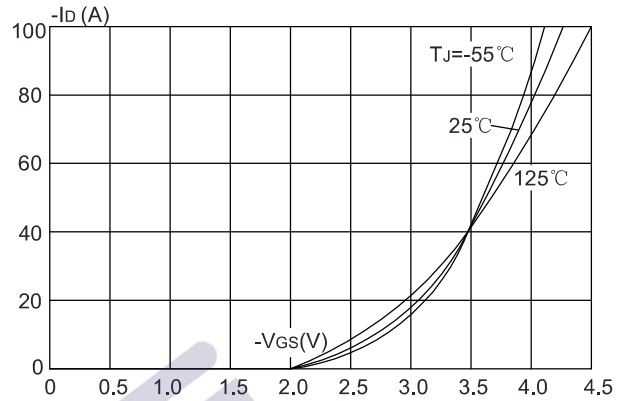
Diode Recovery Test Circuit & Waveforms



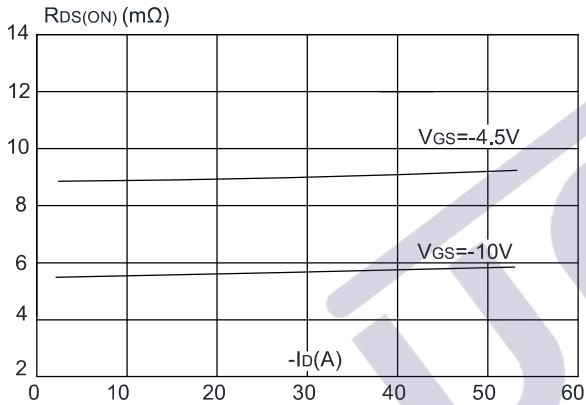
**Figure 1: Output Characteristics**



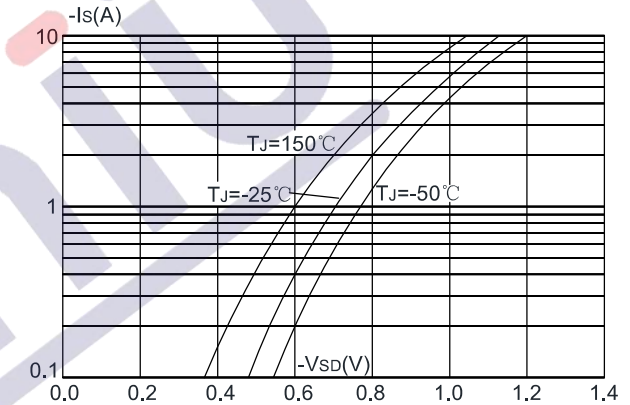
**Figure 2: Typical Transfer Characteristics**



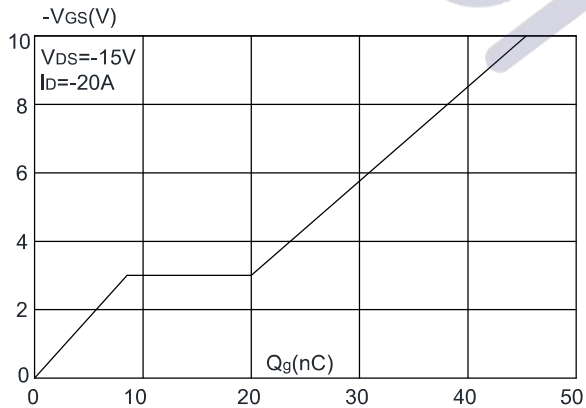
**Figure 3: On-resistance vs. Drain Current**



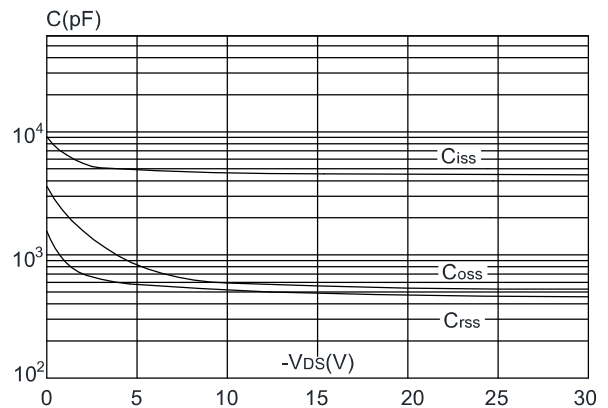
**Figure 4: Body Diode Characteristics**



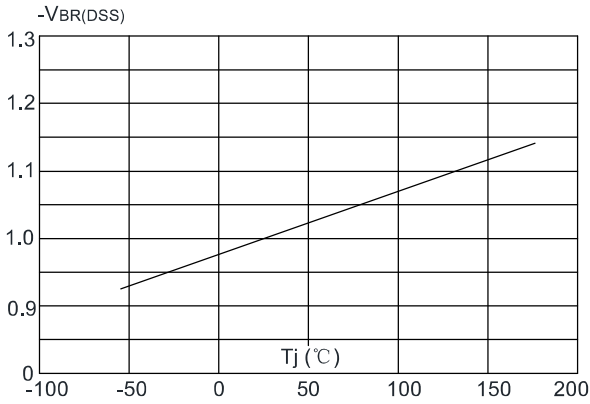
**Figure 5: Gate Charge Characteristics**



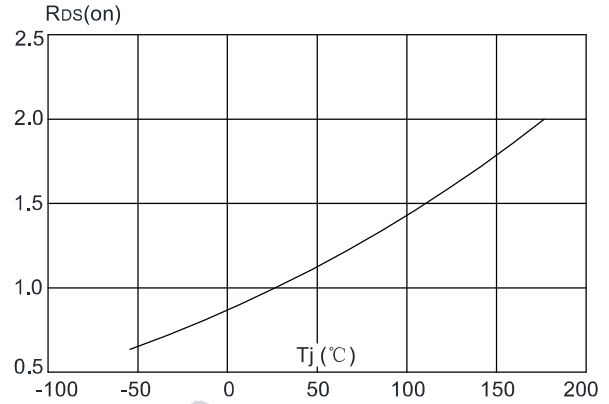
**Figure 6: Capacitance Characteristics**



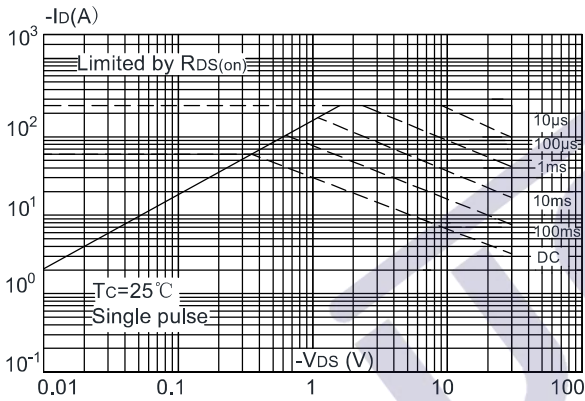
**Figure 7: Normalized Breakdown Voltage vs. Junction Temperature**



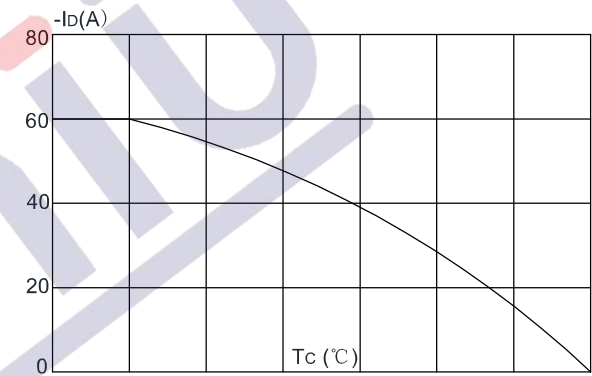
**Figure 8: Normalized on Resistance vs. Junction Temperature**



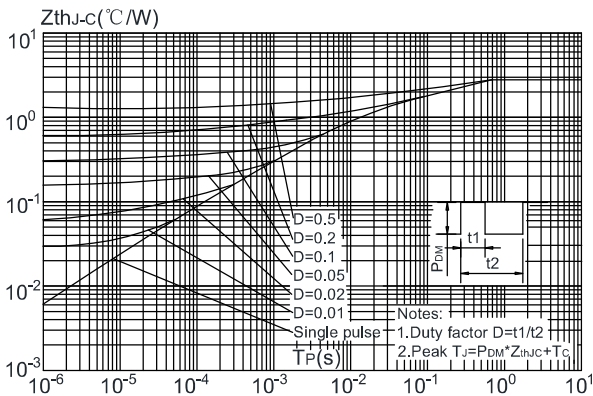
**Figure 9: Maximum Safe Operating Area**



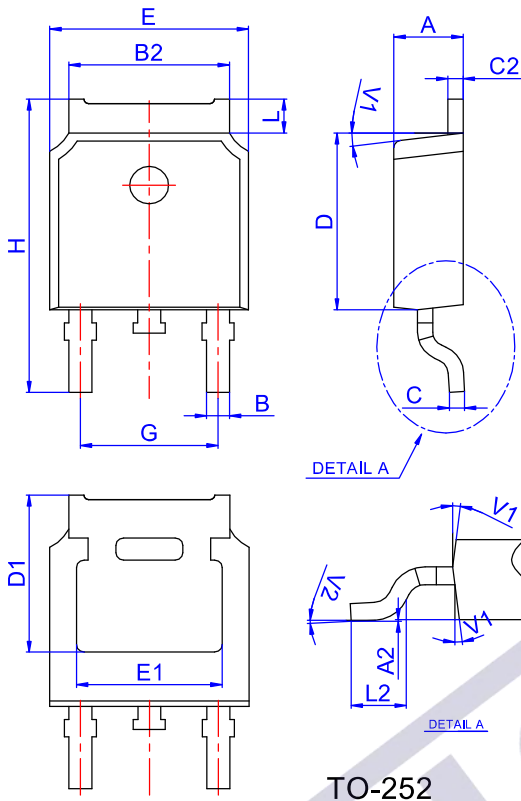
**Figure 10: Maximum Continuous Drain Current vs. Case Temperature**



**Maximum Effective Transient Thermal Impedance, Junction-to-Case**

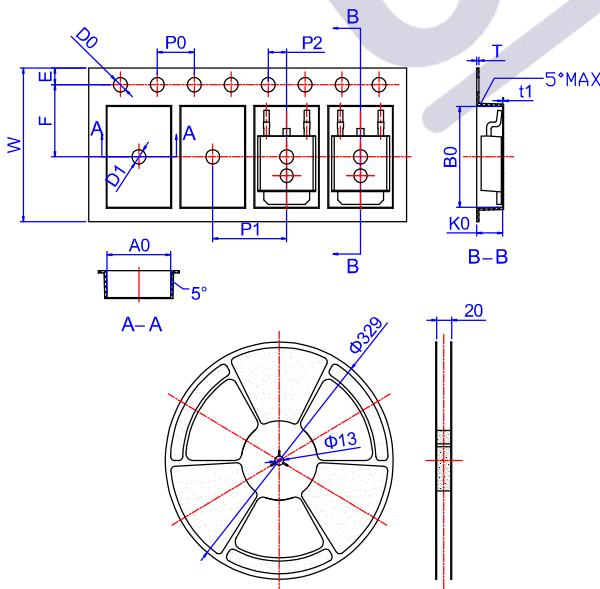


TO-252 Package Information



Ref.	Dimensions					
	Millimeters			Inches		
	Min.	Typ.	Max.	Min.	Typ.	Max.
A	2.10		2.50	0.083		0.098
A2	0		0.10	0		0.004
B	0.66		0.86	0.026		0.034
B2	5.18		5.48	0.202		0.216
C	0.40		0.60	0.016		0.024
C2	0.44		0.58	0.017		0.023
D	5.90		6.30	0.232		0.248
D1	5.30REF			0.209REF		
E	6.40		6.80	0.252		0.268
E1	4.63			0.182		
G	4.47		4.67	0.176		0.184
H	9.50		10.70	0.374		0.421
L	1.09		1.21	0.043		0.048
L2	1.35		1.65	0.053		0.065
V1		7°			7°	
V2	0°		6°	0°		6°

Reel Specification-TO-252



Ref.	Dimensions					
	Millimeters			Inches		
	Min.	Typ.	Max.	Min.	Typ.	Max.
W	15.90	16.00	16.10	0.626	0.630	0.634
E	1.65	1.75	1.85	0.065	0.069	0.073
F	7.40	7.50	7.60	0.291	0.295	0.299
D0	1.40	1.50	1.60	0.055	0.059	0.063
D1	1.40	1.50	1.60	0.055	0.059	0.063
P0	3.90	4.00	4.10	0.154	0.157	0.161
P1	7.90	8.00	8.10	0.311	0.315	0.319
P2	1.90	2.00	2.10	0.075	0.079	0.083
A0	6.85	6.90	7.00	0.270	0.271	0.276
B0	10.45	10.50	10.60	0.411	0.413	0.417
K0	2.68	2.78	2.88	0.105	0.109	0.113
T	0.24		0.27	0.009		0.011
t1	0.10			0.004		
10P0	39.80	40.00	40.20	1.567	1.575	1.583

## 1.版本记录

DATE	REV.	DESCRIPTION
2018/04/19	1.0	First Release
2021/08/10	1.1	Layout adjustment

## 2.免责声明

浙江宇力微新能源科技有限公司保留对本文档的更改和解释权力，不另行通知！客户在下单前应获取我司最新版本资料，并验证相关信息是否最新和完整。量产方案需使用方自行验证并自担所有批量风险责任。未经我司授权，该文件不得私自复制和修改。产品不断提升，以追求高品质、稳定性强、可靠性高、环保、节能、高效为目标，我司将竭诚为客户提供性价比高的系统开发方案、技术支持等更优秀的服务。

版权所有 浙江宇力微新能源科技有限公司/绍兴宇力半导体有限公司

## 3.联系我们

浙江宇力微新能源科技有限公司

总部地址：绍兴市越城区斗门街道袍渎路25号中节能科创园45幢4/5楼 电话：

0575-85087896 (研发部)

传真：0575-88125157

E-mail: htw@uni-semic.com

无锡地址：无锡市锡山区先锋中路6号中国电子（无锡）数字芯城1#综合楼503室

电话：0510-85297939

E-mail: zh@uni-semic.com

深圳地址：深圳市宝安区西乡街道南昌社区宝源路泳辉国际商务大厦410

电话：0755-84510976

E-mail: htw@uni-semic.com